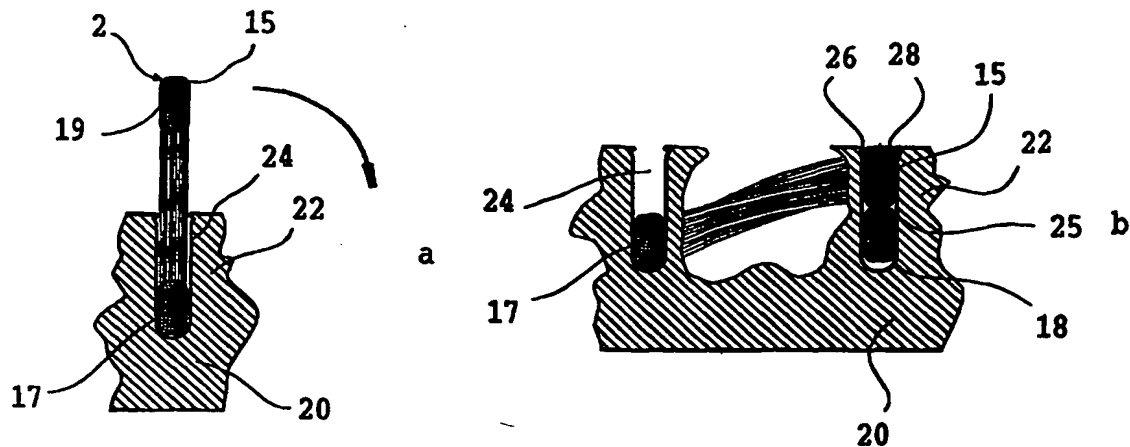




INTERNATIONAL APPLICATION PUBLISHED UNDER THE PATENT COOPERATION TREATY (PCT)

<p>(51) International Patent Classification⁶ : H02K 15/04</p>	<p>A2</p>	<p>(11) International Publication Number: WO 98/48500 (43) International Publication Date: 29 October 1998 (29.10.98)</p>
<p>(21) International Application Number: PCT/FI98/00347 (22) International Filing Date: 17 April 1998 (17.04.98)</p> <p>(30) Priority Data: 971651 18 April 1997 (18.04.97) FI 973684 15 September 1997 (15.09.97) FI</p> <p>(71) Applicant (for all designated States except US): KONE CORPORATION [FI/FI]; Munkkiniemen puistotie 25, FIN-00330 Helsinki (FI).</p> <p>(72) Inventors; and (75) Inventors/Applicants (for US only): AULANKO, Esko [FI/FI]; Käenkatu 6 C 33, FIN-04230 Kerava (FI). KURRONEN, Panu [FI/FI]; Koivulankatu 6 as 4, FIN-05830 Hyvinkää (FI). TULANDER, Marko [FI/FI]; Viljamintie 4 A 3, FIN-11910 Riihimäki (FI).</p> <p>(74) Agent: KONE CORPORATION; Patent Dept., P.O. Box 677, FIN-05801 Hyvinkää (FI).</p>		<p>(81) Designated States: AL, AM, AT, AU, AZ, BA, BB, BG, BR, BY, CA, CH, CN, CU, CZ, DE, DK, EE, ES, FI, GB, GE, GH, GM, GW, HU, ID, IL, IS, JP, KE, KG, KP, KR, KZ, LC, LK, LR, LS, LT, LU, LV, MD, MG, MK, MN, MW, MX, NO, NZ, PL, PT, RO, RU, SD, SE, SG, SI, SK, SL, TJ, TM, TR, TT, UA, UG, US, UZ, VN, YU, ZW, ARIPO patent (GH, GM, KE, LS, MW, SD, SZ, UG, ZW), Eurasian patent (AM, AZ, BY, KG, KZ, MD, RU, TJ, TM), European patent (AT, BE, CH, CY, DE, DK, ES, FI, FR, GB, GR, IE, IT, LU, MC, NL, PT, SE), OAPI patent (BF, BJ, CF, CG, CI, CM, GA, GN, ML, MR, NE, SN, TD, TG).</p> <p>Published <i>In English translation (filed in Finnish). Without international search report and to be republished upon receipt of that report.</i></p>

(54) Title: PROCEDURE FOR PREPARING THE WINDINGS FOR AN ELECTRIC MOTOR



(57) Abstract

The invention relates to a procedure for preparing the windings for an electric motor. The magnetic core (20) of the stator and/or rotor of the motor is provided with slots (24, 25) in which winding coils (2; 5, 7; 15, 17) can be fitted. According to the invention, the winding coils (2) are wound from winding wire and shaped substantially into their final form, the cross section of the coil sides (15, 17) corresponding to the space reserved in the slot (24, 25) for the coil. The winding coils (15, 17) are fitted in place in the slots (24, 25) provided in the magnetic core.

FOR THE PURPOSES OF INFORMATION ONLY

Codes used to identify States party to the PCT on the front pages of pamphlets publishing international applications under the PCT.

AL	Albania	ES	Spain	LS	Lesotho	SI	Slovenia
AM	Armenia	FI	Finland	LT	Lithuania	SK	Slovakia
AT	Austria	FR	France	LU	Luxembourg	SN	Senegal
AU	Australia	GA	Gabon	LV	Latvia	SZ	Swaziland
AZ	Azerbaijan	GB	United Kingdom	MC	Monaco	TD	Chad
BA	Bosnia and Herzegovina	GE	Georgia	MD	Republic of Moldova	TG	Togo
BB	Barbados	GH	Ghana	MG	Madagascar	TJ	Tajikistan
BE	Belgium	GN	Guinea	MK	The former Yugoslav Republic of Macedonia	TM	Turkmenistan
BF	Burkina Faso	GR	Greece			TR	Turkey
BG	Bulgaria	HU	Hungary	ML	Mali	TT	Trinidad and Tobago
BJ	Benin	IE	Ireland	MN	Mongolia	UA	Ukraine
BR	Brazil	IL	Israel	MR	Mauritania	UG	Uganda
BY	Belarus	IS	Iceland	MW	Malawi	US	United States of America
CA	Canada	IT	Italy	MX	Mexico	UZ	Uzbekistan
CF	Central African Republic	JP	Japan	NE	Niger	VN	Viet Nam
CG	Congo	KE	Kenya	NL	Netherlands	YU	Yugoslavia
CH	Switzerland	KG	Kyrgyzstan	NO	Norway	ZW	Zimbabwe
CI	Côte d'Ivoire	KP	Democratic People's Republic of Korea	NZ	New Zealand		
CM	Cameroon			PL	Poland		
CN	China	KR	Republic of Korea	PT	Portugal		
CU	Cuba	KZ	Kazakstan	RO	Romania		
CZ	Czech Republic	LC	Saint Lucia	RU	Russian Federation		
DE	Germany	LI	Liechtenstein	SD	Sudan		
DK	Denmark	LK	Sri Lanka	SE	Sweden		
EE	Estonia	LR	Liberia	SG	Singapore		

PROCEDURE FOR PREPARING THE WINDINGS FOR AN ELECTRIC MOTOR

The present invention relates to a procedure for preparing the windings for an electric motor, as defined in the preamble of claim 1.

In electric motors, the windings are attached either directly to the stator and/or rotor or to the ferromagnetic part of the stator/rotor. In the latter case, the windings are fitted in slots machined in a laminated core of magnetic material or around separate pole shoes protruding from the stator/rotor frame. The present invention relates to the preparation of the windings for motors in which the windings are fitted in slots. More particularly, the invention concerns a motor having open slots.

In the stators of smaller alternating-current motors, a semi-closed slot is used in which widened tooth edges at the slot opening partially cover the slot, preventing the windings from moving. The design of the tooth edge can also be used to modify the properties of the motor, such as stray reactance and control of the magnetic flux in the air gap. However, due to the semi-closed slot, the winding operation is very laborious because the winding coils have to be inserted through the narrow slot opening one wire or a few wires at a time. It is therefore difficult to keep the winding coil in shape and the coil needs shaping after the winding operation.

In motors with an axial air gap, the tooth width is small on the inner side of the motor and the space left over for the winding overhang is very limited. The coils have to be so shaped that they can be accommodated in the space reserved for them and that their insulation will not be damaged when the coils are being mounted in place. Preparing the windings requires several operations, which are automated and simplified as far as possible.

The object of the present invention is to develop a new procedure for preparing the windings for an electric motor, designed to eliminate the drawbacks described above and applicable especially in the case of windings mounted in open slots. In particular, the object is to create a procedure that is applicable for the preparation of windings for a motor with an axial air gap. To achieve this, the invention is characterised by the features presented in the characterisation part of claim 1. According to the procedure, the winding coils are wound from winding wire, the winding coils are shaped into a substantially final form, the winding coils are fitted in place in slots provided in a magnetic core. By winding the winding coils in a mould having a width substantially equal to the width of the motor slot, the coil side will already have its final shape, ready to be fitted in the slot. According to another embodiment, the coil does not have a cross-section exactly corresponding to the slot after the winding operation, but the cross-section of the coil sides is shaped e.g. by forcing them into formers shaped like the slots, by means of which the winding coils are twisted into their final shape.

According to an embodiment, the first coil side of a winding coil is fitted into one motor slot and the coil is turned so that the other coil side goes into another motor slot. The first coil side of each winding coil will thus go into the lower part of a slot, and a coil side of another coil will be placed on top of it, and the second coil side of the coil will go into the upper part of another slot on top of a third coil side in the case of a two-layer winding.

According to a preferred embodiment of the invention, the end windings have been formed into their final shape before the coil is fitted in the slots. This makes it unnecessary to turn the end windings while the coil is being mounted, and the end windings have been so bent that they will smoothly interlace with other end windings.

According to a preferred embodiment, each winding coil is a separate coil when it is being fitted into the slot, and after they have been fitted into the slots, the winding coils are connected together to form the desired winding.

5 The winding coils are easy to produce as separate coils and they can be shaped and fitted into the slots faster than interconnected coils. The insulation is not so susceptible to being damaged. This procedure is particularly applicable to axial motors, in which the space for the winding over-

10 hang on the inner circle is very narrow.

According to an embodiment alternative to the previous one, two or more winding coils are connected in series before the coils are fitted into the slots, and the extreme wire

15 ends of the series-connected coils are connected to other series of coils so as to form the desired winding. This will reduce, and in extreme cases eliminate, the work of soldering the windings together. This embodiment is applicable in the case of motors with sufficient space for the

20 windings or in which the end windings are of the same shape at both ends of the slot, e.g. in linear motor applications.

After the winding coils have been fitted into the slots,

25 the slots are preferably closed with ferromagnetic wedges inserted into chases formed in the slots. The coils rest against the wedges in the depth direction of the slot and no special measures are needed after the wedge has been mounted. The use of slot wedges also results in an air gap

30 flux free of harmonics, so the vibrations and noise caused by harmonics is substantially reduced. This is a significant feature especially in a synchronous motor with permanent magnets because the number of stator slots is normally divisible by the number of magnets on the rotor. All the

35 magnets are therefore in the same position with respect to stator slots. Thus, changes in flux density in the symmetrically divided air gap at the edges of the slot openings/teeth produce axial and tangential forces in all magnets at the same time and in the same direction. By shaping

the slot wedge, it is possible to influence the flux control and therefore also the vibration and noise level as well as stray reactances in the motor. In this way it is also possible to achieve magnetic properties in the air gap surface of the motor that are nearly equivalent to those of a semi-closed slot.

In the case of an axial or conical motor, the slots at the edge closer to the axis are closer to each other than at the outer edge. In this case, the coils are preferably so shaped already during the winding operation that the end windings differ in length, by making the first end winding, which lies closer to the axis, shorter than the second end winding, which is farther removed from the axis.

Further preferred embodiments are defined in the subclaims.

In the following, the invention will be described in detail by referring to the drawings, in which

- Fig. 1 presents a winding coil,
- Fig. 2a presents a cross-section of the winding coil, taken along line A-A in Fig. 1,
- Fig. 2b presents a cross-section of a shaped winding coil,
- Fig. 3a presents a cross-section of an unshaped winding coil with its first coil side in a slot,
- Fig. 3b a cross-section of a shaped winding coil fitted in slots,
- Fig. 4 represents a slot wedge as seen from the direction of the air gap,
- Fig. 5 represents the stator of an axial motor as seen from the direction of the air gap, and

- Fig. 6 illustrates the variation in the air gap torque.

To produce the winding for a motor, winding wire is coiled
5 on a coiling machine (not shown) into a winding coil 2 of a
shape as illustrated by Fig. 1, in which the coil has
straight coil sides 4, which will be fitted into slots in
the motor. Preferably the winding coil has a rectangular
cross-section at least in the area of the coil side (Fig.
10 2a). The coil formers comprise two U-shaped troughs 12 and
14 having a trough width corresponding to the slot width of
the motor. The coil is wound by the random winding method,
and the shape of the former produces the correct shape in
the part of the coil to be fitted into the slot, i.e. the
15 coil side. During the winding operation, the former troughs
are preferably at a distance determined by the slot pitch
of the motor from each other. In the case of an axial mo-
tor, the former troughs are also skewed relative to each
other by the same angle as the motor slots in which the
20 coil sides are to be fitted. Therefore, the first end 6 of
the winding coil has a smaller bending radius and it forms
the inner end winding in the axial motor. Correspondingly,
the other end 8 of the winding coil has a larger bending
radius and it forms the outer end winding in the axial mo-
25 tor. In motors with parallel slots, the end windings are
naturally identical. In a coil wound in a rectangular for-
mer, the end windings also have a rectangular cross-
section. The winding coil can also be wound as a ring of
circular or other shape. A shape with straight coil sides
30 as shown in Fig. 1 reduces the need to bend the winding
wires at a later stage, thus reducing the risk of the insu-
lation being damaged.

After being wound, the winding coil 2 is straight and the
35 coil sides in the troughs 12 and 14 of the coil former are
parallel to each other in the depth direction of the slot,
in other words, the first coil side 5 and the second coil
side 7 are aligned as seen from the direction of the air
gap, i.e. from above or from below in Fig. 2a. The coil

former can also be used as a shaping tool to twist the coil into the final shape in which it is to be mounted in the motor. Trough 14 of the former is turned sideways through an angle somewhat less than 90° while maintaining the same trough attitude, i.e. maintaining the cross-section of coil side 5 in the same orientation with the cross-section of coil side 7 (Fig. 2b). In the case of an axial motor, the upper coil side 5 is simultaneously turned askew by an angle corresponding to the skewness of the slots. If several coils or all the coils for the motor are to be shaped at the same time, the upper trough is turned by a multiple of the slot pitch and trough 14 is simultaneously pressed down toward the level of trough 12. As shown in the figure, the coil sides are not exactly aligned horizontally, but the lower edge of coil side 5 is at the level of the upper edge of coil side 7. The coil sides will go into different slots in the motor, coil side 7 being placed on the bottom of one slot while the other coil side 5 is placed in another slot, in the part of the slot facing the air gap of the motor, thinking of the laminated core of the motor as being placed under the coil in Fig. 2b.

Before the winding coils are fitted into the slots, the coil sides are wrapped in insulating slot liner material, which is an insulating material known in itself as used in electric motors, such as insulating tape. The coil sides are then fitted into the slots so that the first coil side of each coil goes to the bottom of a slot while the second coil side goes into another slot on top of the coil side of another coil. When the coils are being mounted, the end windings are insulated using winding overhang insulation known in itself. The windings are locked in place with slot wedges (Fig. 3b) and the wire ends of the coils are connected to each other so as to form a desired winding, e.g. a three-phase winding for a given number of poles. The end windings are insulated using suitable winding overhang insulation as is known in the art.

Although the winding coils have been described above as separate coils, it is possible within the framework of the invention to connect several coils together during the winding operation so that the coils are already interconnected when they are mounted in the motor.

Figures 3a and 3b illustrate an alternative method of shaping the coil. The coil sides of a coil of rectangular cross-section are insulated with insulating slot liner material 19, which also holds the coil firmly in place and keeps it sufficiently in shape during mounting. The first coil side 17 has been fitted to the bottom of the slot 24. The figures show a part of the laminated core 20 of the stator as well as slots 24 and 25 punched in the laminated core. Between the slots there are teeth 22. A shaping tool is fitted onto coil side 15 and, using the tool, the coil side 15 is turned sideways and toward the laminated stator core so that the coil side goes into slot 25. The coil side is pressed down to a depth that leaves under it a space of a height corresponding to another coil side to be fitted into this space. Between slots 24 and 25 there may be one or more slots, depending on the structure of the motor. In practice, it is advisable to bend the coil before the other coil has been placed on the bottom of the slot to ensure that the coil is bent to its final shape without leaving any tension in it. Punched at the ends of the teeth are chases 26 into which the slot wedges 28 are fitted to hold the windings in place. The chases in the stator slots as well as the stator slots themselves are punched out in the laminates before the stator core is assembled. The laminated stator core can be manufactured in several known ways and the stator slots may have different shapes or be laid in different directions as illustrated by the example in Fig. 5.

35

The slot wedges 28 are preferably made of ferromagnetic material so that they also form part of the magnetic circuit controlling the magnetic flux in the air gap and at the tooth ends. In other respects, the winding overhang insula-

tion and the connections between the coil conductors are implemented as in the embodiment described first. The tooth can also be so shaped that the slot has a uniform width from end to end and a shoulder is formed at the tooth end, the slot wedge being fitted under the shoulder. The slot wedge will be stopped by the shoulder as the winding coil presses it toward the air gap. The slot wedge may also be glued in place with resin.

10 The slot wedge has been formed from one piece of ferromagnetic material. It can also be made e.g. of the same material as the laminated stator core. The slot wedge is produced e.g. by laser cutting or by die cutting, whereupon the slot wedge is bent longitudinally so that the edges of the slot wedge fit into the chases 26 in the stator slot 24. The slot wedge has a thickness such that, when fitted in the chase in the stator slot, the outer surface of the slot wedge is substantially flush with the air gap surface of the laminated stator core. In the central part of the slot wedge (Fig. 4) there is a punched or laser-cut opening 116 having an elongated form in the longitudinal direction of the slot wedge, so the slot wedge can be regarded as consisting of two parallel bars 118 and 120 connected at both ends by cleats 122 and 124. The bars 118 and 120 are of a size such that they will hold the stator windings sufficiently firmly in place and that they will withstand the strain imposed on them by the windings and the magnets. The magnetic properties of the slot wedges are used to control the distribution of the air gap flux so as to minimise harmonics causing noise and vibration and to adjust the stray reactances in the motor to a desired level. The primary function of the cleat parts 122 and 124 of the slot wedges is to keep the slot wedge in shape during mounting and use, and they may become saturated during use. If necessary in view of slot wedge strength requirements, intermediate cleats can be provided between the end cleats of the slot wedge, e.g. as indicated with broken lines 126 in the example in Fig. 4.

The slot wedge is made of ferromagnetic material, either uncoated or coated e.g. with nylon. The junctions 128 between the slot wedge bars 118,120 and the end cleats 122, 124 are rounded to allow easier manipulation and mounting.

5

According to an embodiment of the invention, the openings in the slot wedges are not exactly parallel to the central axis of the slot wedge but slightly oblique to it, so the width of the slot wedge bars varies along the length of the wedge. Fig. 5 illustrates four different alternatives for disposing the slot wedges and the slots in a motor with an axial air gap, the stator being depicted in the axial direction as seen from the air gap. The figure does not represent the stator of the motor but an example of the position of the slot and slot wedge in relation to the direction of the motor radius. In alternative I, the slots 24 are laid in the direction of the motor radius, and the openings 116 in the slot wedges 28 fitted in the slots are also radially oriented. In alternative II, the slots 24 are somewhat askew relative to the radius, and the slot wedge openings are more skewed relative to the radius than the slots. In alternative III, the slots are askew as in alternative II, but the slot wedge openings lie symmetrically in the central area of the slot wedges, so the slot wedges are skewed by the same angle to the radius as the stator slots are. Finally, in the case of alternative IV, the stator slots are laid in the radial direction but the slot wedge openings are askew, in which case slot skewness is only created by the slot wedges and their openings.

30

The effect of closing the stator slots with a slot wedge according to the invention is illustrated by the graph in Fig. 6. The broken line curve 130 represents the variation in the air gap torque over a distance corresponding to two tooth intervals in a synchronous motor with an axial air gap and permanent magnets and with open slots which are closed with a conventional non-magnetic slot stopper. The solid line curve 132 represents the variation in the torque in the same motor with the slots closed with slot wedges

35

according to the invention. By comparing the curves, it will be observed that harmonics are clearly reduced, which signifies a lower level of noise and vibration.

- 5 The invention has been described above by the aid of one of its embodiments. However, the presentation is not to be regarded as constituting a limitation of the sphere of patent protection, but the embodiments of the invention may vary within the limits defined by the following claims.

CLAIMS

1. Procedure for preparing the windings for an electric motor, the magnetic core (20) of the stator and/or rotor of said motor being provided with slots (24) in which winding coils (2; 5,7;15,17) can be fitted, characterised in that
- the winding coils (2) are wound from winding wire,
 - the winding (2) coils are shaped substantially into their final form,
- 10 - the winding coils (2; 5,7;15,17) are fitted in place in the slots provided in the magnetic core.
2. Procedure as defined in claim 1, characterised in that each winding coil (2) is shaped by fitting the coil sides (5,7) into formers (14,15) shaped like the slots and turning the formers so that the coil sides (5,7) of the winding are in a position substantially corresponding to the slots.
3. Procedure as defined in claim 1, characterised in that the first coil side (17) of a winding coil (2) is fitted into one motor slot (24) and the coil is turned so that the other coil side (15) goes into another motor slot (25).
4. Procedure as defined in claim 3, characterised in that the first coil side (17) is fitted in the lower part of one motor slot (24) and the second coil side (15) is fitted in the upper part of another motor slot (25).
5. Procedure as defined in claim 1, characterised in that the winding coils, including the end windings, are shaped substantially into their final form before being fitted into the slots.
6. Procedure as defined in claim 1, characterised in that each winding coil (2) is a separate coil when it is being fitted into the slot (24,25), and that after they have been fitted into the slots (24,25), the winding coils (2) are connected together so as to form a desired winding.

7. Procedure as defined in claim 1, **characterised** in that two or more winding coils (2) are connected in series before the coils are fitted into the slots (24,25), and the extreme wire ends of the series-connected coils are connected to other series of coils so as to form a desired winding.

8. Procedure as defined in claim 1, **characterised** in that, after the winding coils (2; 5,7;15,17) have been fitted into slots, the slots (24,25) are closed with wedges (28) inserted into the upper parts of the slots.

9. Procedure as defined in claim 8, **characterised** in that the slot wedges (28) are made of a substantially homogeneous ferromagnetic material and that the slot wedges (28) are secured in a chase formed in the slot in the longitudinal direction of the slot.

10. Procedure as defined in claim 9, **characterised** in that the slot wedges (28) have an elongated shape and that their opposite long edges comprise protrusions which are fitted into the chases (26) in the slots (24).

11. Procedure as defined in claim 10, **characterised** in that, by changing the dimensioning of the slot wedges, the stray reactance and/or distribution of the air gap flux in the electric motor is regulated.

12. Procedure as defined in claim 1, **characterised** in that the shaped winding coils are stiffened and bound with insulating tape.

13. Procedure as defined in claim 1, **characterised** in that the first end winding (6) of the coil is shorter than the second end winding (8).

1 / 4

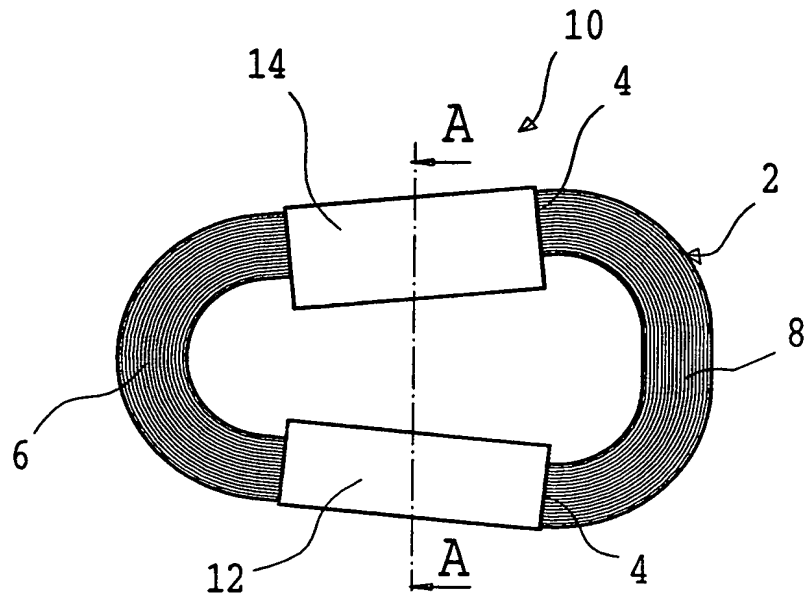


Fig. 1

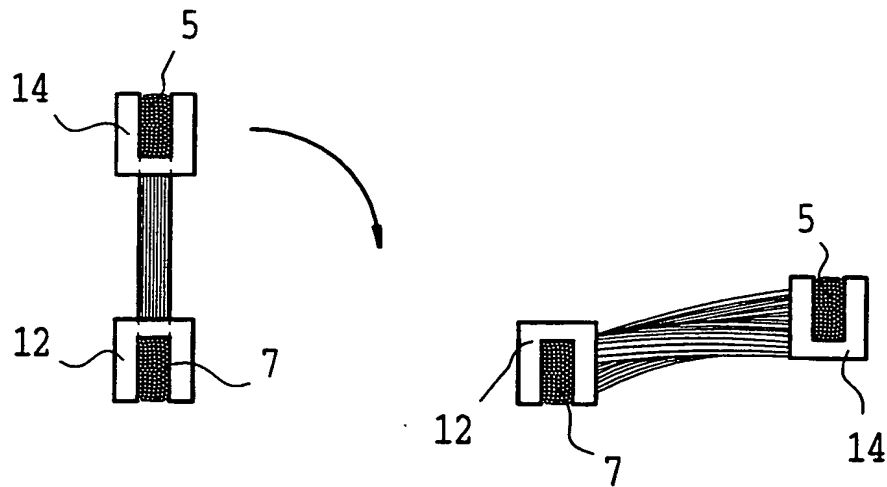


Fig. 2a

Fig. 2b

2 / 4

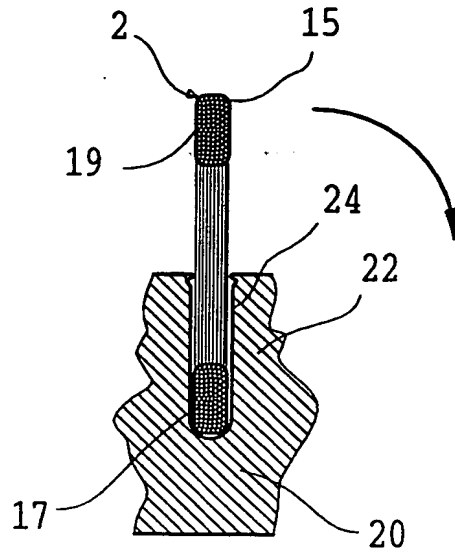


Fig.3a

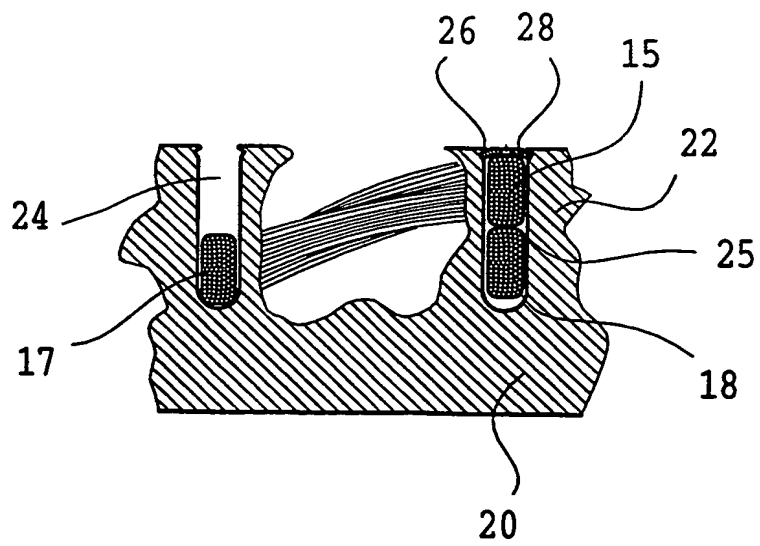


Fig.3b

3/4

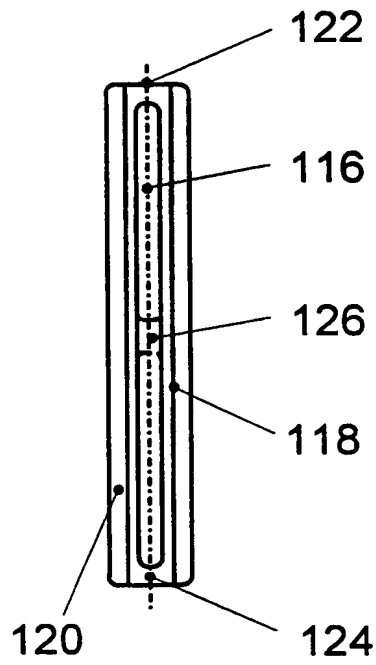


Fig.4

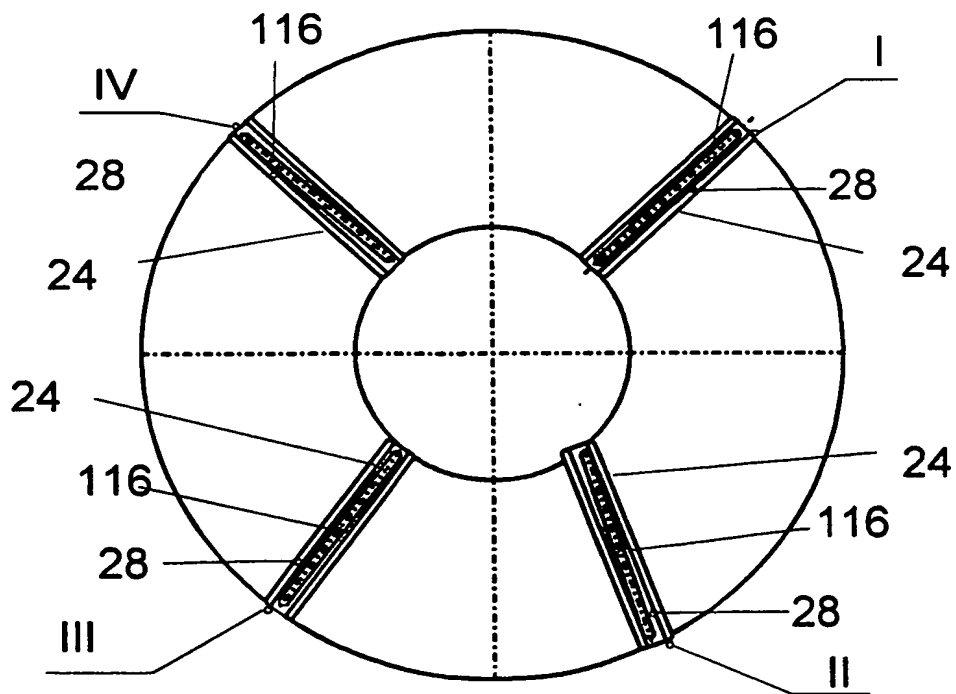


Fig.5

T / [Nm]

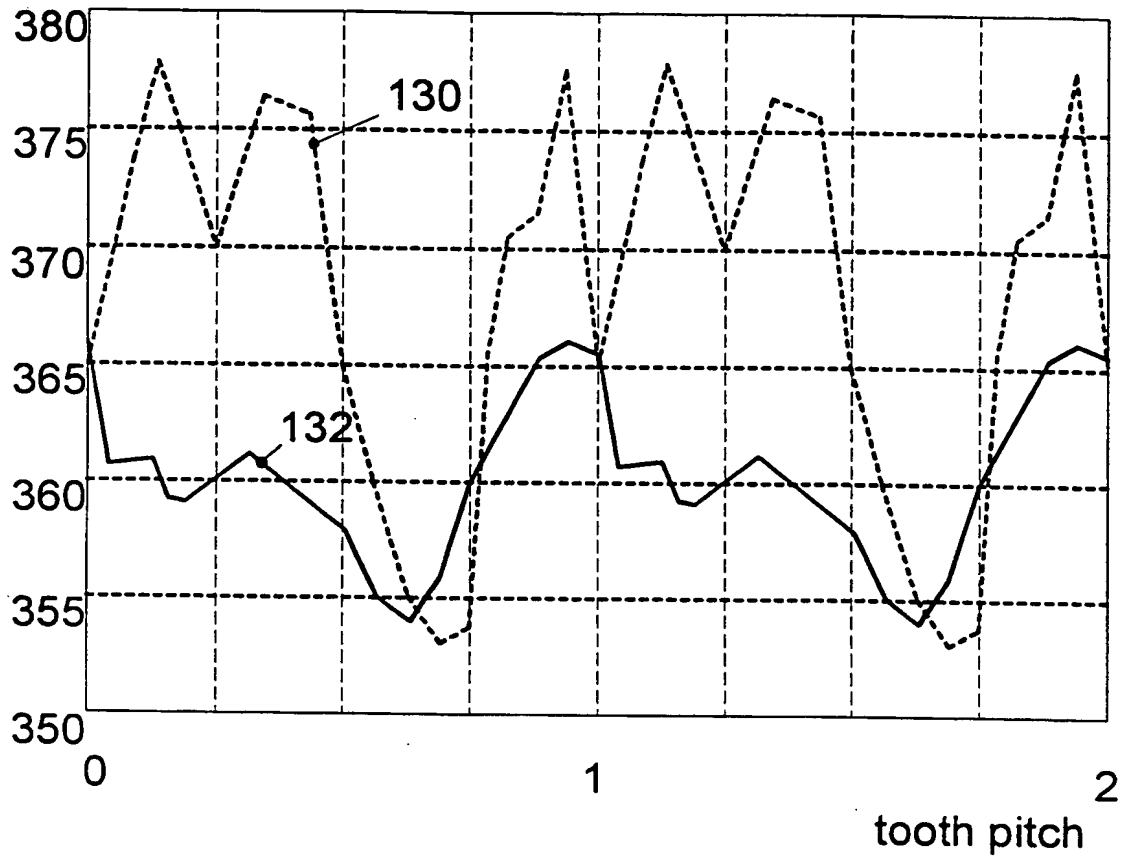


Fig.6

1/4

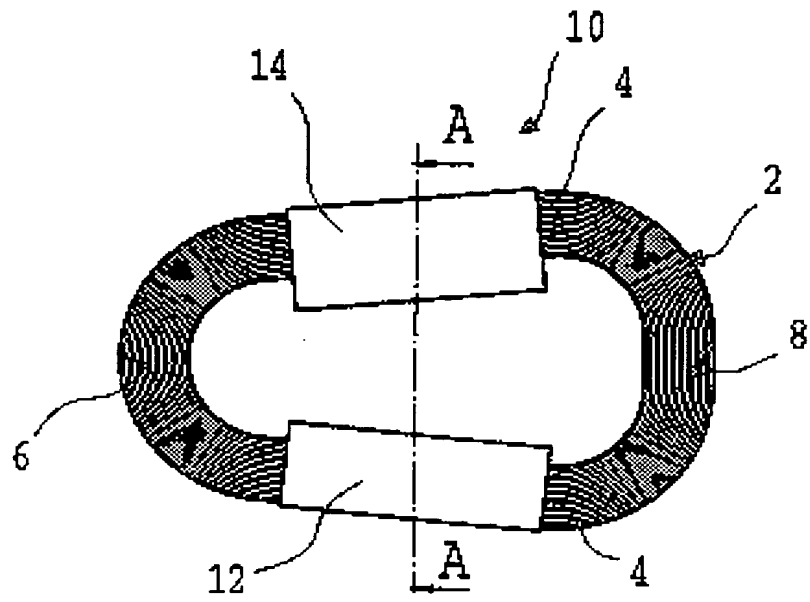


Fig.1

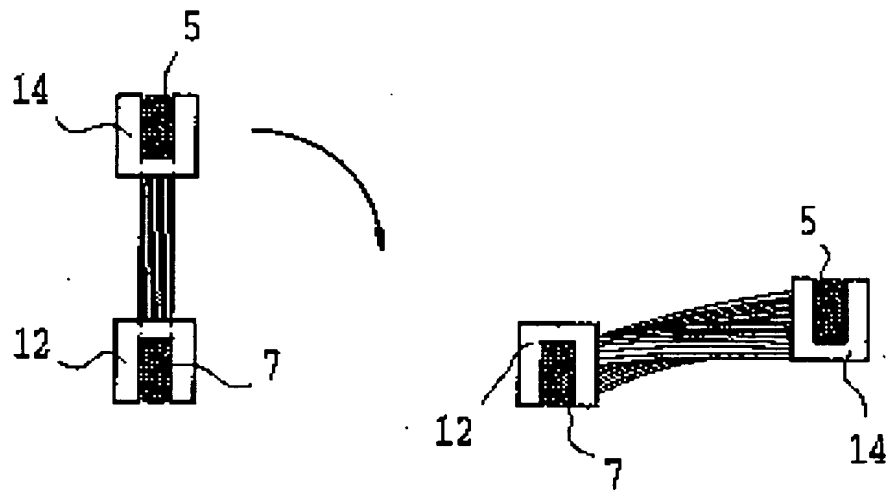


Fig.2a

Fig.2b

2/4

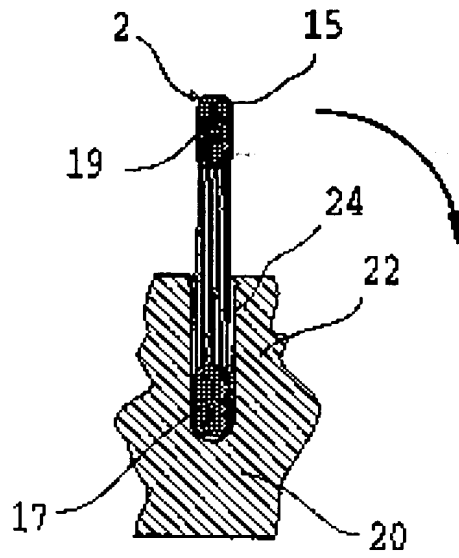


Fig.3a

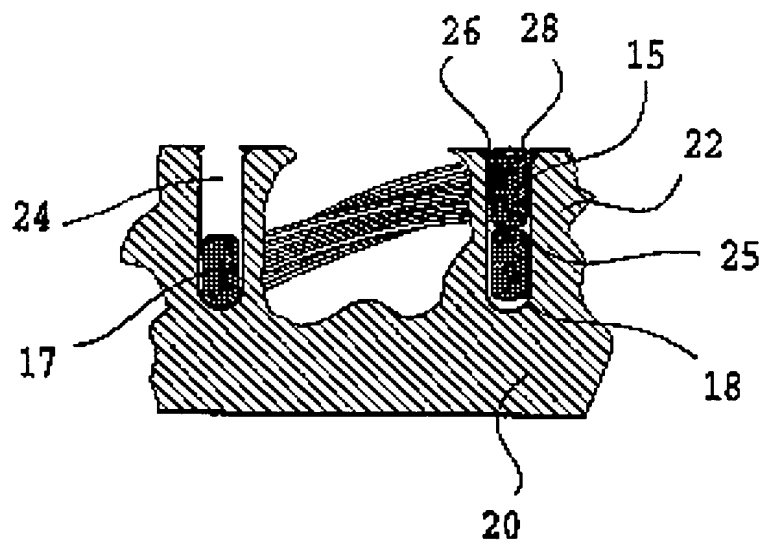


Fig.3b

3/4

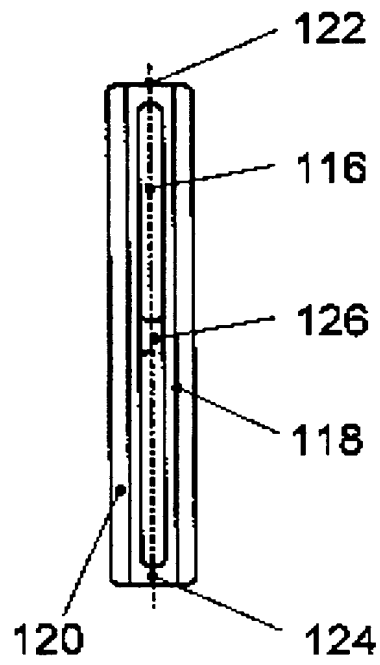


Fig. 4

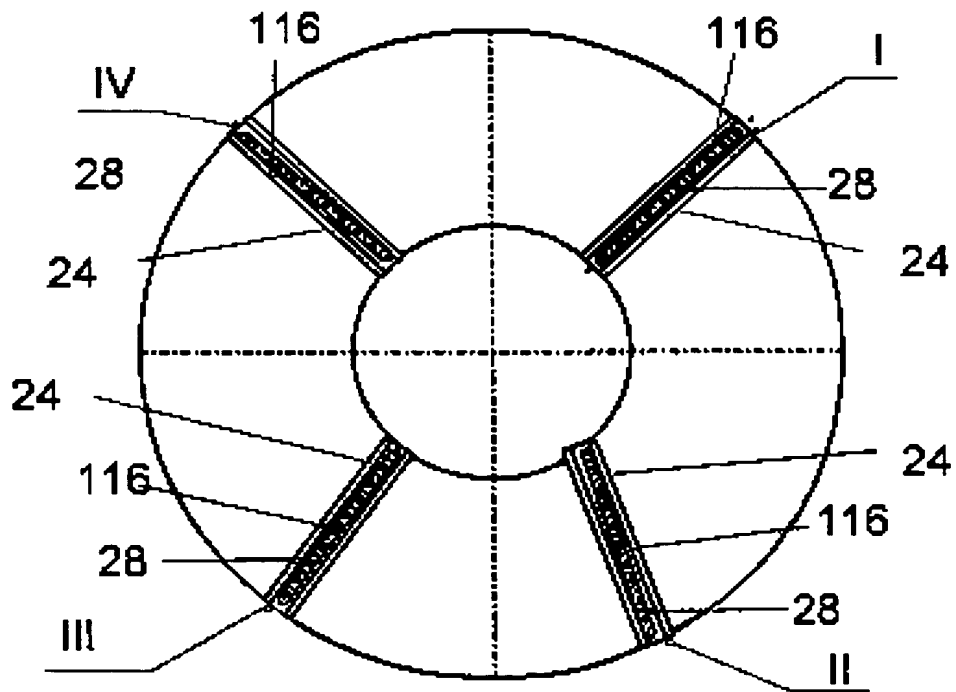


Fig. 5

T / [Nm]

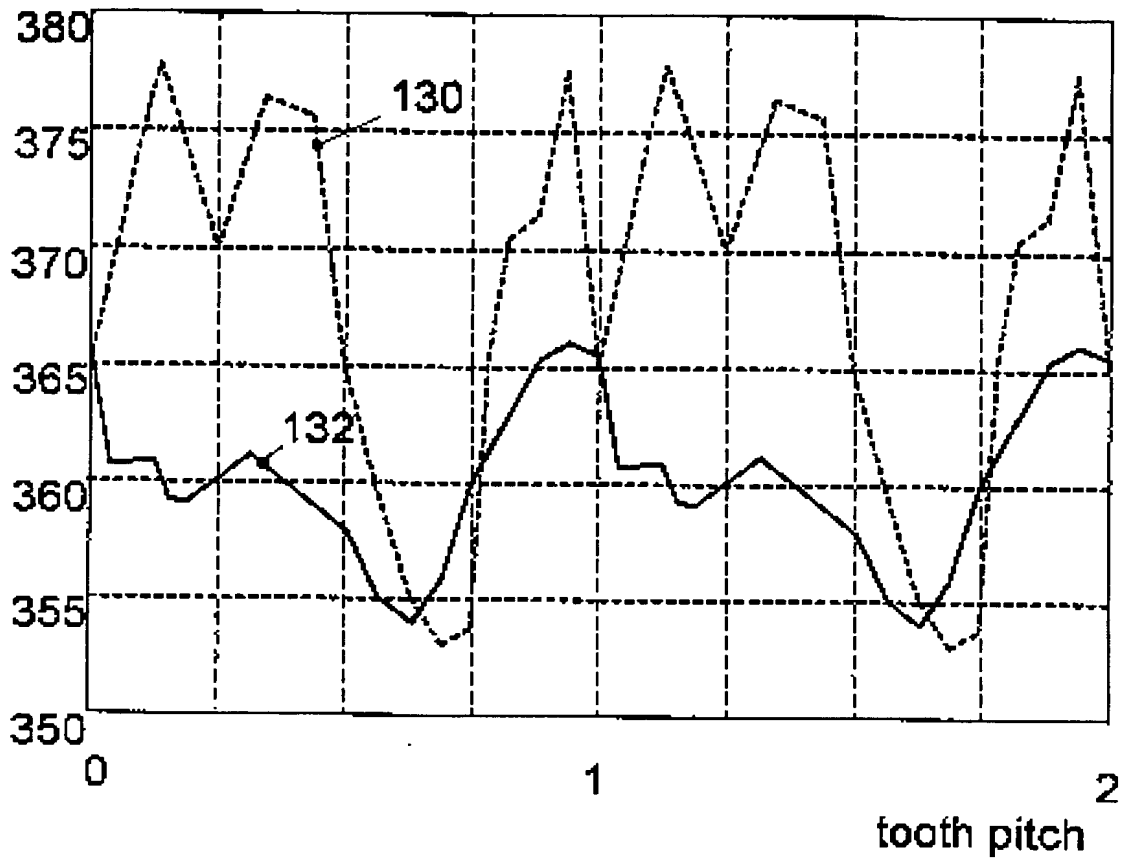


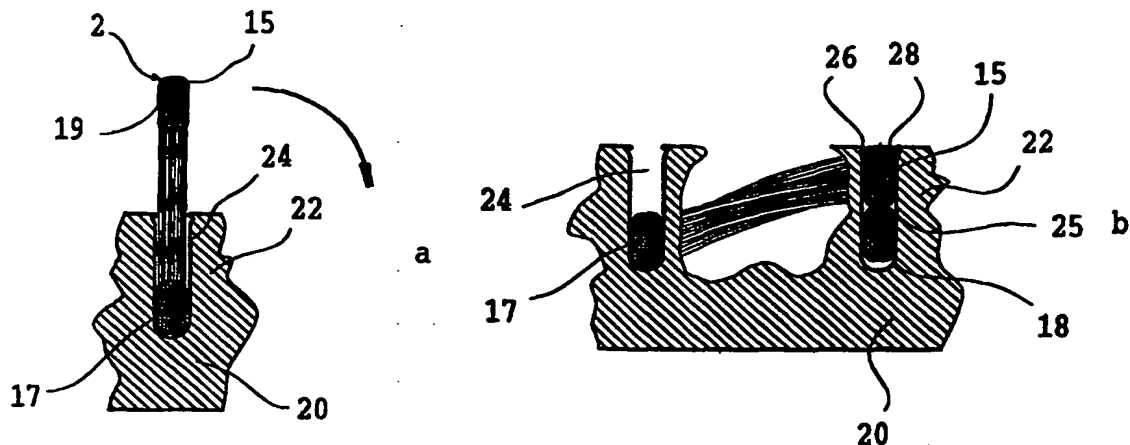
Fig.6



INTERNATIONAL APPLICATION PUBLISHED UNDER THE PATENT COOPERATION TREATY (PCT)

<p>(51) International Patent Classification ⁶ : H02K 15/04</p>	<p>A3</p>	<p>(11) International Publication Number: WO 98/48500 (43) International Publication Date: 29 October 1998 (29.10.98)</p>
<p>(21) International Application Number: PCT/FI98/00347 (22) International Filing Date: 17 April 1998 (17.04.98)</p> <p>(30) Priority Data: 971651 18 April 1997 (18.04.97) FI 973684 15 September 1997 (15.09.97) FI</p> <p>(71) Applicant (for all designated States except US): KONE CORPORATION [FI/FI]; Munkkiniemen puistotie 25, FIN-00330 Helsinki (FI).</p> <p>(72) Inventors; and (75) Inventors/Applicants (for US only): AULANKO, Esko [FI/FI]; Käenkatu 6 C 33, FIN-04230 Kerava (FI). KURRONEN, Panu [FI/FI]; Koivulankatu 6 as 4, FIN-05830 Hyvinkää (FI). TULANDER, Marko [FI/FI]; Viljamintie 4 A 3, FIN-11910 Riihimäki (FI).</p> <p>(74) Agent: KONE CORPORATION; Patent Dept., P.O. Box 677, FIN-05801 Hyvinkää (FI).</p>		<p>(81) Designated States: AL, AM, AT, AU, AZ, BA, BB, BG, BR, BY, CA, CH, CN, CU, CZ, DE, DK, EE, ES, FI, GB, GE, GH, GM, GW, HU, ID, IL, IS, JP, KE, KG, KP, KR, KZ, LC, LK, LR, LS, LT, LU, LV, MD, MG, MK, MN, MW, MX, NO, NZ, PL, PT, RO, RU, SD, SE, SG, SI, SK, SL, TJ, TM, TR, TT, UA, UG, US, UZ, VN, YU, ZW, ARIPO patent (GH, GM, KE, LS, MW, SD, SZ, UG, ZW), Eurasian patent (AM, AZ, BY, KG, KZ, MD, RU, TJ, TM), European patent (AT, BE, CH, CY, DE, DK, ES, FI, FR, GB, GR, IE, IT, LU, MC, NL, PT, SE), OAPI patent (BF, BJ, CF, CG, CI, CM, GA, GN, ML, MR, NE, SN, TD, TG).</p> <p>Published <i>With international search report.</i> <i>In English translation (filed in Finnish).</i></p> <p>(88) Date of publication of the international search report: 11 February 1999 (11.02.99)</p>

(54) Title: PROCEDURE FOR PREPARING THE WINDINGS FOR AN ELECTRIC MOTOR



(57) Abstract

The invention relates to a procedure for preparing the windings for an electric motor. The magnetic core (20) of the stator and/or rotor of the motor is provided with slots (24, 25) in which winding coils (2; 5, 7; 15, 17) can be fitted. According to the invention, the winding coils (2) are wound from winding wire and shaped substantially into their final form, the cross section of the coil sides (15, 17) corresponding to the space reserved in the slot (24, 25) for the coil. The winding coils (15, 17) are fitted in place in the slots (24, 25) provided in the magnetic core.

FOR THE PURPOSES OF INFORMATION ONLY

Codes used to identify States party to the PCT on the front pages of pamphlets publishing international applications under the PCT.

AL	Albania	ES	Spain	LS	Lesotho	SI	Slovenia
AM	Armenia	FI	Finland	LT	Lithuania	SK	Slovakia
AT	Austria	FR	France	LU	Luxembourg	SN	Senegal
AU	Australia	GA	Gabon	LV	Latvia	SZ	Swaziland
AZ	Azerbaijan	GB	United Kingdom	MC	Monaco	TD	Chad
BA	Bosnia and Herzegovina	GE	Georgia	MD	Republic of Moldova	TG	Togo
BB	Barbados	GH	Ghana	MG	Madagascar	TJ	Tajikistan
BE	Belgium	GN	Guinea	MK	The former Yugoslav Republic of Macedonia	TM	Turkmenistan
BF	Burkina Faso	GR	Greece			TR	Turkey
BG	Bulgaria	HU	Hungary	ML	Mali	TT	Trinidad and Tobago
BJ	Benin	IE	Ireland	MN	Mongolia	UA	Ukraine
BR	Brazil	IL	Israel	MR	Mauritania	UG	Uganda
BY	Belarus	IS	Iceland	MW	Malawi	US	United States of America
CA	Canada	IT	Italy	MX	Mexico	UZ	Uzbekistan
CF	Central African Republic	JP	Japan	NE	Niger	VN	Viet Nam
CG	Congo	KE	Kenya	NL	Netherlands	YU	Yugoslavia
CH	Switzerland	KG	Kyrgyzstan	NO	Norway	ZW	Zimbabwe
CI	Côte d'Ivoire	KP	Democratic People's Republic of Korea	NZ	New Zealand		
CM	Cameroon			PL	Poland		
CN	China	KR	Republic of Korea	PT	Portugal		
CU	Cuba	KZ	Kazakstan	RO	Romania		
CZ	Czech Republic	LC	Saint Lucia	RU	Russian Federation		
DE	Germany	LI	Liechtenstein	SD	Sudan		
DK	Denmark	LK	Sri Lanka	SE	Sweden		
EE	Estonia	LR	Liberia	SG	Singapore		

INTERNATIONAL SEARCH REPORT

International application No.
PCT/FI 98/00347

A. CLASSIFICATION OF SUBJECT MATTER

IPC6: H02K 15/04
According to International Patent Classification (IPC) or to both national classification and IPC

B. FIELDS SEARCHED

Minimum documentation searched (classification system followed by classification symbols)

IPC6: H02K

Documentation searched other than minimum documentation to the extent that such documents are included in the fields searched

SE,DK,FI,NO classes as above

Electronic data base consulted during the international search (name of data base and, where practicable, search terms used)

WPI

C. DOCUMENTS CONSIDERED TO BE RELEVANT

Category*	Citation of document, with indication, where appropriate, of the relevant passages	Relevant to claim No.
X	EP 0455121 A2 (MITSUBISHI DENKI KABUSHIKI KAISHA), 6 November 1991 (06.11.91), see the whole document	1
Y	--	2-13
X	GB 2076710 A (SOCIETE DE PARIS ET DU RHONE), 9 December 1981 (09.12.81), see the whole document	1
Y	--	2-13
X	GB 1323010 A (SIEMENS AG), 11 July 1973 (11.07.73), see the whole document	1
Y	--	2-13

Further documents are listed in the continuation of Box C. See patent family annex.

* Special categories of cited documents:	"T" later document published after the international filing date or priority date and not in conflict with the application but cited to understand the principle or theory underlying the invention
"A" document defining the general state of the art which is not considered to be of particular relevance	"X" document of particular relevance: the claimed invention cannot be considered novel or cannot be considered to involve an inventive step when the document is taken alone
"E" earlier document but published on or after the international filing date	"Y" document of particular relevance: the claimed invention cannot be considered to involve an inventive step when the document is combined with one or more other such documents, such combination being obvious to a person skilled in the art
"L" document which may throw doubts on priority claim(s) or which is cited to establish the publication date of another citation or other special reason (as specified)	"&" document member of the same patent family
"O" document referring to an oral disclosure, use, exhibition or other means	
"P" document published prior to the international filing date but later than the priority date claimed	

Date of the actual completion of the international search 2 November 1998	Date of mailing of the international search report 02 -11- 1998
---	---

Name and mailing address of the ISA/ Swedish Patent Office Box 5055, S-102 42 STOCKHOLM Facsimile No. +46 8 666 02 86	Authorized officer Lars Jakobsson Telephone No. +46 8 782 25 00
--	--

INTERNATIONAL SEARCH REPORT

International application No.

PCT/FI 98/00347

C (Continuation). DOCUMENTS CONSIDERED TO BE RELEVANT		
Category*	Citation of document, with indication, where appropriate, of the relevant passages	Relevant to claim No.
X	GB 2160797 A (HITACHI LTD. (JAPAN)), 2 January 1986 (02.01.86), see the whole document	1
Y	--	2-13
X	Derwent's abstract, No 52-E0040B/18, week 5218, ABSTRACT OF SU, 612350 (NOVOS ELECTROTECH), 8 June 1978 (08.06.78)	1
Y	2-13	--
X	US 4864715 A (J. SADIER), 12 Sept 1989 (12.09.89), see the whole document	1
Y	--	2-13
X	DE 1815855 A1 (ELEKTRA-FAURNDAU, ELEKTRO-MASCHINENBAU GMBH), 16 July 1970 (16.07.70), see the whole document	1
Y	--	2-13
X	US 4489764 A (R.G. WALKER), 25 December 1984 (25.12.84), see the whole document	1
Y	--	2-13
Y	US 3353046 A (H. PAPST), 14 November 1967 (14.11.67), see the whole document	8-11
Y	GB 2021329 A (FISCHBACH GMBH & CO KG), 28 November 1979 (28.11.79), see the whole document	8-11
	--	

INTERNATIONAL SEARCH REPORT

International application No.
PCT/FI 98/00347

C (Continuation). DOCUMENTS CONSIDERED TO BE RELEVANT		
Category*	Citation of document, with indication, where appropriate, of the relevant passages	Relevant to claim No.
Y	US 3035195 A (H. JAUN ET AL.), 15 May 1962 (15.05.62), see the whole document --	8-11
Y	EP 0356928 A1 (ASEA BROWN BOVERI AB), 7 March 1990 (07.03.90), page 7, line 57 - page 8, line 1 -- -----	12

Form PCT/ISA/210 (continuation of second sheet) (July 1992)

INTERNATIONAL SEARCH REPORT
Information on patent family members

05/10/98

International application No.

PCT/FI 98/00347

Patent document cited in search report	Publication date	Patent family member(s)	Publication date
EP 0455121 A2	06/11/91	DE 69120597 D,T JP 2523933 B JP 4008149 A KR 9402364 B US 5113573 A	28/11/96 14/08/96 13/01/92 23/03/94 19/05/92
GB 2076710 A	09/12/81	DE 3120865 A FR 2483702 A,B US 4449288 A	11/03/82 04/12/81 22/05/84
GB 1323010 A	11/07/73	DE 2027135 A FR 2095779 A	09/12/71 11/02/72
GB 2160797 A	02/01/86	DE 3522085 A,C JP 61009142 A US 4864716 A	02/01/86 16/01/86 12/09/89
US 4864715 A	12/09/89	DE 3774861 A EP 0274969 A,B FR 2608334 A,B	09/01/92 20/07/88 17/06/88
DE 1815855 A1	16/07/70	NONE	
US 4489764 A	25/12/84	DE 3334267 A,C DE 3348055 C FR 2534062 A,B GB 2127331 A,B GB 2135603 A,B	05/04/84 15/09/88 06/04/84 11/04/84 05/09/84
US 3353046 A	14/11/67	NONE	
GB 2021329 A	28/11/79	BE 876008 A CH 645484 A DE 2819953 A,C FR 2425167 A,B NL 7903538 A	03/09/79 28/09/84 15/11/79 30/11/79 08/11/79
US 3035195 A	15/05/62	NONE	
EP 0356928 A1	07/03/90	JP 2106813 A SE 461940 B,C SE 8803026 A	18/04/90 09/04/90 01/03/90